

Qucs

Test Report

SPICE to Qucs conversion: Test File 5

Mike Brinson

Copyright © 2007 Mike Brinson <mbrin72043@yahoo.co.uk>

Permission is granted to copy, distribute and/or modify this document under the terms of the GNU Free Documentation License, Version 1.1 or any later version published by the Free Software Foundation. A copy of the license is included in the section entitled "GNU Free Documentation License".

Introduction

Title

SPICE 2g6 and 3f5 inductors.

SPICE specification

Format: SPICE 2g6¹:

- Linear form: **LX N+ N- value [IC = INCOND]**
- Nonlinear form: **LX N+ N- [POLY] value [L1 [L2]] [IC = INCOND]**
- Coupled (mutual) inductors: **KX L1 L2 Kvalue**

Notes:

1. Characters [and] enclose optional items
2. Inductors begin with letter L.
3. X denotes name of inductor
4. N+ and N- are the positive and negative nodes respectively.
5. Value is the inductor value in Henries.
6. L1 and L2 are the names of the two coupled inductors.
7. Kvalue is the coefficient of coupling; $0 < \text{Kvalue} < 1$.
8. The “dot” convention is used to denote coupling direction by placing a “dot” on the first node of each inductor.
9. Equations:

Inductors may be nonlinear functions of current, where

$$L(I) = \text{value} + L1 \cdot I + L2 \cdot I^2 + \dots L_n \cdot I^n$$

and L1, L2, L3 are the coefficients of a polynomial describing the element value. Also $n \leq 20$.

Format: SPICE 3f5²:

¹See sections 6.2 and 6.3, SPICE 2g6 user's guide.

²See sections 3.1.7 and 3.1.8, SPICE 3f6 user's guide.

- Linear inductors: **LX N+ N- value [IC = INCOND]**
- Coupled (mutual) inductors: **KX L1 L2 Kvalue**

Notes: 1 to 8 above.

Test code

SPICE code: File S2Q_test5-_a.cir

```
* SPICE to Qucs syntax file
* SPICE 2g6 and 3f5 inductance
* DC and AC tests
.subckt S2Q_test5_a po1, po2, po3
v1 1 0 dc 1v
l1 1 po1 1mH
r1 po1 0 1k
*
v2 2 0 ac 1v
l2 2 po2 1mH
r2 po2 0 1k
*
v3 3 0 dc 1v ac 1v
l3 3 po3 1mH
r3 po3 0 1k
*
.ends
.end
```

SPICE code: File S2Q_test5_b.cir

```
* SPICE to Qucs syntax file
* SPICE 2g6 and 3f5 inductance
* DC and transient tests
.subckt S2Q_test5_a po1, po2, po3, po4, po5, po6, po7
v1 1 0 dc 1v
l1 1 po1 1mH ic=0mA
r1 po1 0 1k
*
v2 2 0 dc 0v
l2 2 po2 1mH ic=-10mA
r2 po2 0 1k
*
v3 3 0 dc 1v
l3 3 po3 1mH IC=0mA
r3 po3 0 1k
*
v4 4 0 dc 0v pulse(0 1 0.1u 0.1u 0.1u 10u 20u)
```

```

14 4 po4 1mH ic=0mA
r4 po4 0 1k
*
v5 5 0 dc 1v pulse(0 1 0.1u 0.1u 0.1u 10u 20u)
15 5 po5 1mH ic=0mA
r5 po5 0 1k
*
v6 6 0 dc 1v pulse(0 1 0.1u 0.1u 0.1u 10u 20u)
16 6 po6 1mH ic=-1mA
r6 po6 0 1k
*
v7 7 0 dc 0v pulse(0 1 0.1u 0.1u 0.1u 10u 20u)
17 7 po7 1mH ic=1mA
r7 po7 0 1k
*
.ends
.end

```

SPICE code: File S2Q_test5_c.cir

```

* SPICE to Qucs syntax file
* SPICE 2g6 and 3f5 mutual inductance
* AC tests
.subckt s2q_test5_c po1 po2
v1 1 0 ac 240
r1 1 2 10hm
l1 2 0 100mH
l2 3 0 100mH
k23 11 12 0.999
r2 3 po1 10hm
rl po1 0 150
*
r11 1 21 10hm
l11 21 0 100mH
l21 0 31 100mH
k231 111 121 0.999
r21 31 po2 10hm
rl1 po2 0 150
.ends
.end

```

SPICE code: File S2Q_test5_d.cir

```

* SPICE to Qucs syntax file
* SPICE 2g6 and 3f5 mutual inductance
* Transient test
.subckt s2q_test5_c po1
v1 1 0 sin(0 240 50)
r1 1 2 10hm

```

```

l1 2 0 100mH
l2 3 0 100mH
k23 11 12 0.999
r2 3 po1 10hm
r1 po1 0 150
.ends
.end

```

SPICE code: File S2Q_test5_e.cir

```

* SPICE to Qucs syntax file
* SPICE 2g6 and 3f5 mutual inductance
* Transient test – two sets of coupling
.subckt s2q_test5_c po1 po2
v1 1 0 sin(0 240 50)
r1 1 2 10hm
l1 2 0 100mH
l2 3 0 100mH
l3 0 4 100mH
k12 11 12 0.999
k13 11 13 0.999
k23 12 13 0.999
r2 3 po1 10hm
r11 po1 0 150
r3 4 po2 10hm
r12 po2 0 150
.ends
.end

```

History of simulation results

April 17 2007, Simulation tests by Mike Brinson

Summary:

- File s2q_5_a: All DC and AC results correct.
- File s2q_5_b: All DC and transient results correct. NOTE: Outputs po4.V, po5.V, po6.V and po7.V have a value of 0.513 added to the DC source values. This corresponds to the DC value of the pulse sources. Changing, for example, time parameter TD changes this value.
- File s2q_5_c: All results appear to be correct.
- File s2Q_5_d: All results appear to be correct.
- File s2q_5_e: All results appear to be correct.

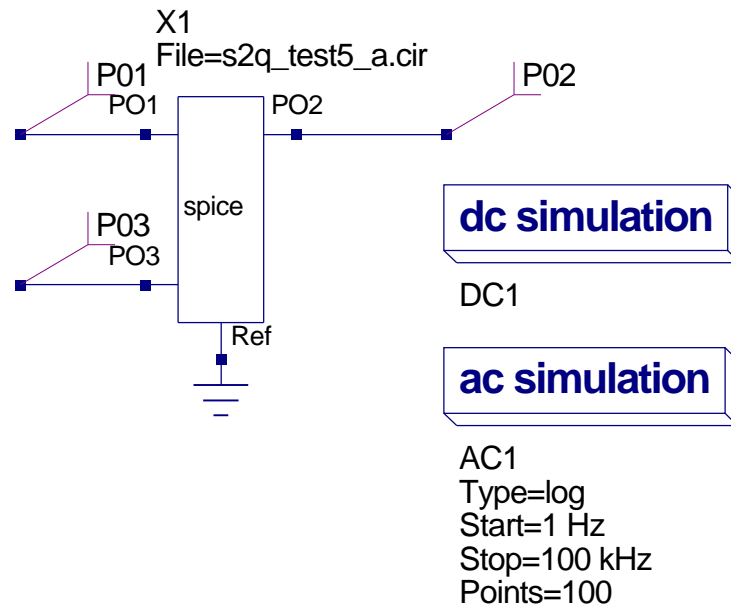


Figure 1: April 17: Inductor DC and AC test schematic for file s2q_5_a.cir

- Inductive coupled networks with more than three coupling coefficients have not been tested.
- SPICE 2g6 non-linear inductors have not been tested. Future implementation of Qucs nonlinear controlled sources will allow simulation of current dependent inductors.

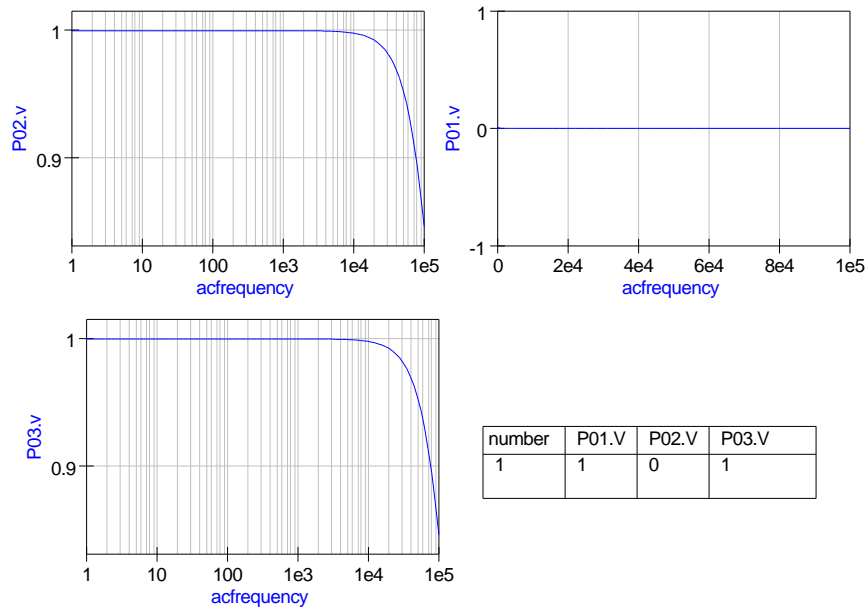


Figure 2: April 17: Inductor DC and AC tests results for file s2q_5_a.cir

```
# Qucs 0.0.12 /media/hda2/S2Q_test5_prj/test_s2q_5_a.sch

.Def:s2q_test5_a_cir _netPO1 _netPO2 _netPO3 _ref
  .Def:S2Q_TEST5_A _ref _netPO1 _netPO2 _netPO3
  Vac:V3 _net3 _cnet1 U="1V"
  Vac:V2 _net2 _cnet0 U="1V"
  Vdc:V1 _net1 _ref U="1V"
  L:L1 _net1 _netPO1 L="1mH"
  R:R1 _netPO1 _ref R="1k"
  Vdc:V2 _cnet0 _ref U="0"
  L:L2 _net2 _netPO2 L="1mH"
  R:R2 _netPO2 _ref R="1k"
  Vdc:V3 _cnet1 _ref U="1V"
  L:L3 _net3 _netPO3 L="1mH"
  R:R3 _netPO3 _ref R="1k"
  .Def:End
  Sub:X1 _ref _netPO1 _netPO2 _netPO3 Type="S2Q_TEST5_A"
.Def:End

Sub:X1 P01 P02 P03 gnd Type="s2q_test5_a_cir"
.AC:AC1 Type="log" Start="1_Hz" Stop="100_kHz" Points="100" Noise="no"
.DC:DC1 Temp="26.85" reltol="0.001" abstol="1_pA" vntol="1_uV"
saveOPs="no" MaxIter="150" saveAll="no" convHelper="none" Solver="CroutLU"
```

Figure 3: April 17: s2q_5_a Qucs netlist

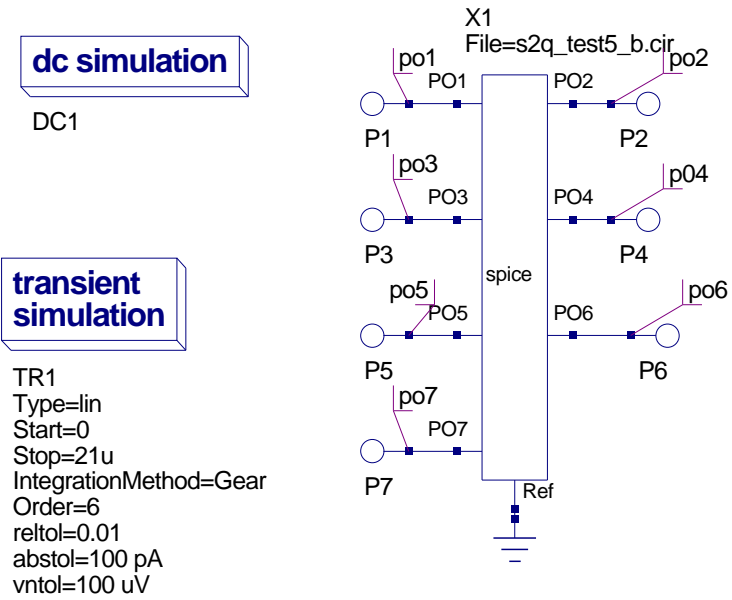


Figure 4: April 17: Inductor DC and transient test schematic for file s2q_5_b.cir

number	po1.V	po2.V	po3.V	p04.V	po5.V	po6.V	po7.V
1	1	0	1	0.513	1.51	1.51	0.513

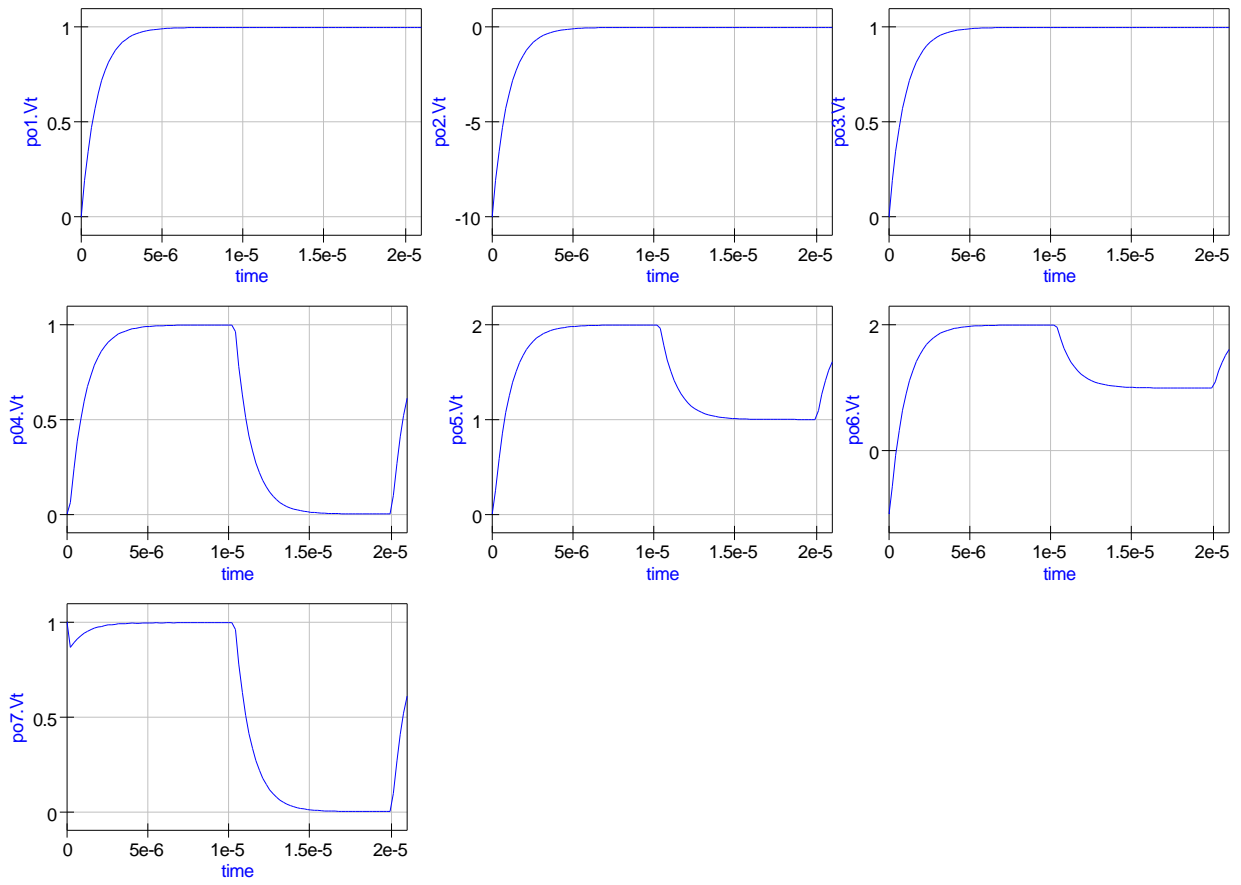


Figure 5: April 17: Inductor DC and transient tests results for file s2q_5_b.cir

```

# Qucs 0.0.12 /media/hda2/S2Q_test5_prj/test_s2q_5_b.sch

.Def:s2q_test5_b_cir _netPO1 _netPO2 _netPO3 _netPO4 _netPO5 _netPO6
_netPO7 _ref
  .Def:S2Q_TEST5_A _ref _netPO1 _netPO2 _netPO3 _netPO4 _netPO5 _netPO6
_netPO7
  Vrect:V7 _net7 _cnet3 U="1" Td="0.1u" Tr="0.1u" Tf="0.1u" TH="1.02e-05"
TL="9.7e-06"
  Vrect:V6 _net6 _cnet2 U="1" Td="0.1u" Tr="0.1u" Tf="0.1u" TH="1.02e-05"
TL="9.7e-06"
  Vrect:V5 _net5 _cnet1 U="1" Td="0.1u" Tr="0.1u" Tf="0.1u" TH="1.02e-05"
TL="9.7e-06"
  Vrect:V4 _net4 _cnet0 U="1" Td="0.1u" Tr="0.1u" Tf="0.1u" TH="1.02e-05"
TL="9.7e-06"
  Vdc:V1 _net1 _ref U="1V"
  L:L1 _net1 _netPO1 L="1mH" I="0mA"
  R:R1 _netPO1 _ref R="1k"
  Vdc:V2 _net2 _ref U="0V"
  L:L2 _net2 _netPO2 L="1mH" I="-10mA"
  R:R2 _netPO2 _ref R="1k"
  Vdc:V3 _net3 _ref U="1V"
  L:L3 _net3 _netPO3 L="1mH" I="0mA"
  R:R3 _netPO3 _ref R="1k"
  Vdc:V4 _cnet0 _ref U="0"
  L:L4 _net4 _netPO4 L="1mH" I="0mA"
  R:R4 _netPO4 _ref R="1k"
  Vdc:V5 _cnet1 _ref U="1"
  L:L5 _net5 _netPO5 L="1mH" I="0mA"
  R:R5 _netPO5 _ref R="1k"
  Vdc:V6 _cnet2 _ref U="1"
  L:L6 _net6 _netPO6 L="1mH" I="-1mA"
  R:R6 _netPO6 _ref R="1k"
  Vdc:V7 _cnet3 _ref U="0"
  L:L7 _net7 _netPO7 L="1mH" I="1mA"
  R:R7 _netPO7 _ref R="1k"
  .Def:End
  Sub:X1 _ref _netPO1 _netPO2 _netPO3 _netPO4 _netPO5 _netPO6 _netPO7
Type="S2Q_TEST5_A"
  .Def:End

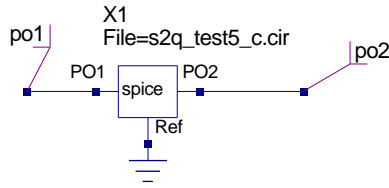
.DC:DC1 Temp="26.85" reltol="0.001" abstol="1_pA" vntol="1_uV" saveOPs="no"
MaxIter="150" saveAll="no" convHelper="none" Solver="CroutLU"
.TR:TR1 Type="lin" Start="0" Stop="21u" Points="100" IntegrationMethod="Gear"
Order="6" InitialStep="1_ns" MinStep="1e-16" MaxIter="150" reltol="0.01"
abstol="100_pA" vntol="100_uV" Temp="26.85" LTEReltol="1e-3"
LTEabstol="1e-6" LTEfactor="1" Solver="CroutLU" relaxTSR="no"
initialDC="yes" MaxStep="0"
Sub:X1 po1 po2 po3 po4 po5 po6 po7 gnd Type="s2q_test5_b_cir"

```

Figure 6: April 17: s2q_5_b Qucs netlist

dc simulation

DC1



ac simulation

AC1
 Type=log
 Start=1 Hz
 Stop=10 MHz
 Points=100

Equation

Eqn1
 vpo1=abs(po1.v)
 phase_vpo1=phase(po1.v)
 phase_vpo2=rad2deg(unwrap(angle(po2.v)))
 vpo2=abs(po2.v)
 real_vpo1=real(po1.v)
 real_vpo2=real(po2.v)
 imag_vpo1=imag(po1.v)
 imag_vpo2=imag(po2.v)

Figure 7: April 17: Mutual inductance AC test schematic for file s2q_5_c.cir

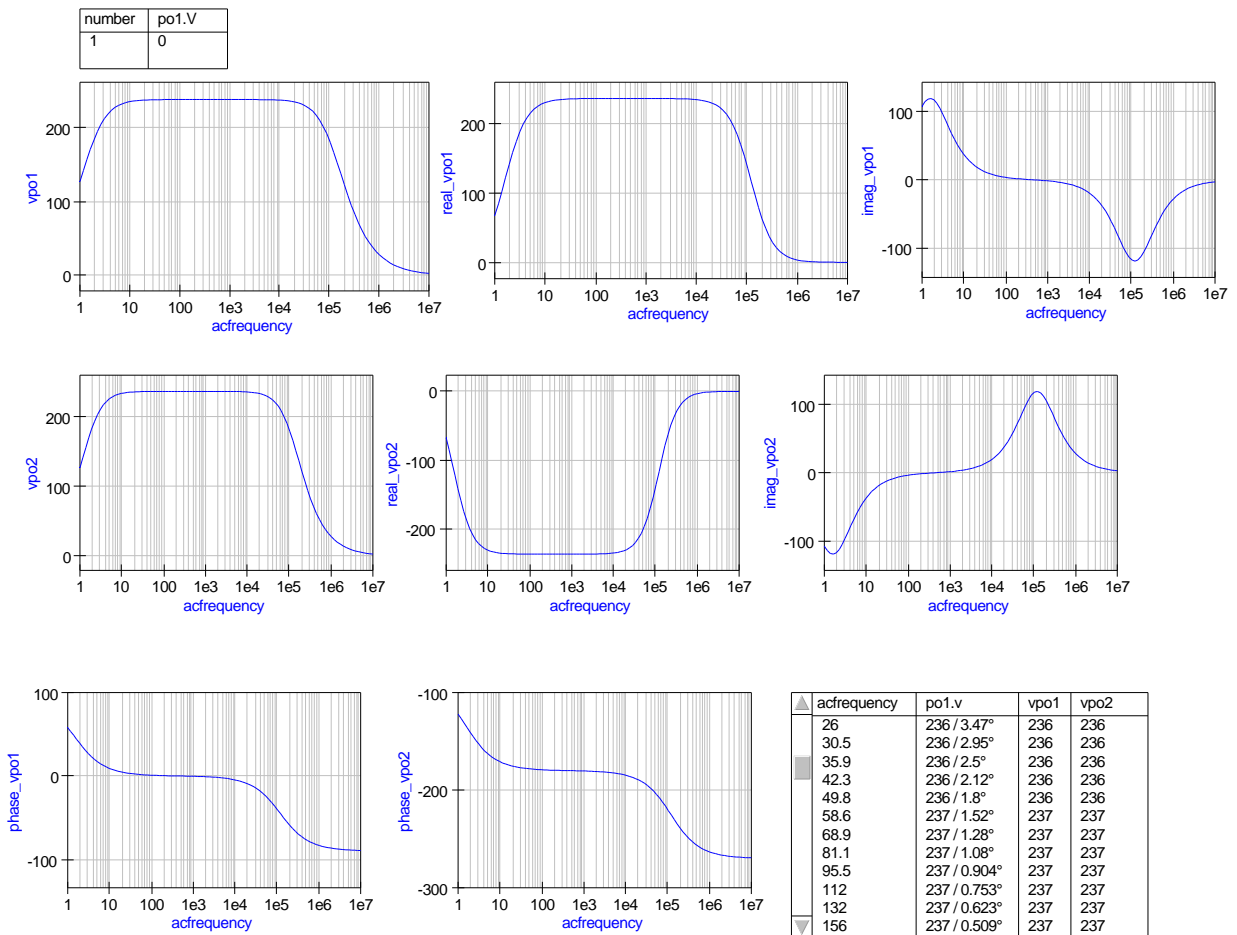


Figure 8: April 17: Mutual inductance tests results for file s2q_5_c.cir

```
# Qucs 0.0.12 /media/hda2/S2Q_test5_prj/test_s2q_5_c.sch
```

```
.Def:s2q_test5_c_cir _netPO1 _netPO2 _ref
  .Def:S2Q_TEST5_C _ref _netPO1 _netPO2
  L:K231 _cnet3 _ref L="0.0999"
  L:K23 _cnet1 _ref L="0.0999"
  Vac:V1 _net1 _cnet0 U="240"
  Vdc:V1 _cnet0 _ref U="0"
  R:R1 _net1 _net2 R="10hm"
  L:L1 _net2 _cnet1 L="0.0001"
  L:L2 _net3 _cnet2 L="0.0001"
  Tr:K23 _cnet1 _cnet2 _ref _ref T="1"
  R:R2 _net3 _netPO1 R="10hm"
  R:RL _netPO1 _ref R="150"
  R:R11 _net1 _net21 R="10hm"
  L:L11 _net21 _cnet3 L="0.0001"
  L:L21 _ref _cnet4 L="0.0001"
  Tr:K231 _cnet3 _cnet4 _net31 _ref T="1"
  R:R21 _net31 _netPO2 R="10hm"
  R:RL1 _netPO2 _ref R="150"
  .Def:End
  Sub:X1 _ref _netPO1 _netPO2 Type="S2Q_TEST5_C"
.Def:End
```

```
.DC:DC1 Temp="26.85" reltol="0.001" abstol="1_pA" vntol="1
uV" saveOPs="no" MaxIter="150" saveAll="no" convHelper="none" Solver="CroutLU"
.AC:AC1 Type="log" Start="1_Hz" Stop="10_MHz" Points="100" Noise="no"
Sub:X1 po1 po2 gnd Type="s2q_test5_c_cir"
Eqn:Eqn1 vpo1="abs(po1.v)" phase_vpo1="phase(po1.v)"
phase_vpo2="rad2deg(unwrap(angle(po2.v)))" vpo2="abs(po2.v)"
real_vpo1="real(po1.v)" real_vpo2="real(po2.v)" imag_vpo1="imag(po1.v)"
imag_vpo2="imag(po2.v)" Export="yes"
```

Figure 9: April 17: s2q_5_c Qucs netlist

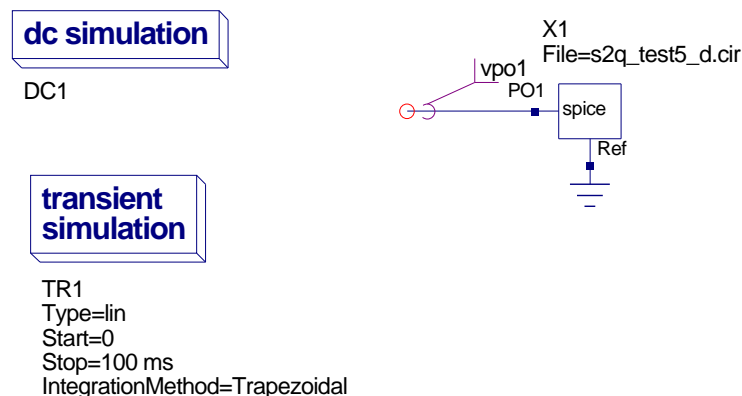


Figure 10: April 17: Mutual inductance transient test schematic for file s2q_5_d.cir

number	vpo1.V
1	0

time	vpo1.Vt
0.0341	-235
0.0342	-237
0.0343	-238
0.0344	-239
0.0345	-240
0.0346	-241
0.0347	-241
0.0348	-242
0.0349	-242
0.035	-242
0.0351	-241
0.0352	-240

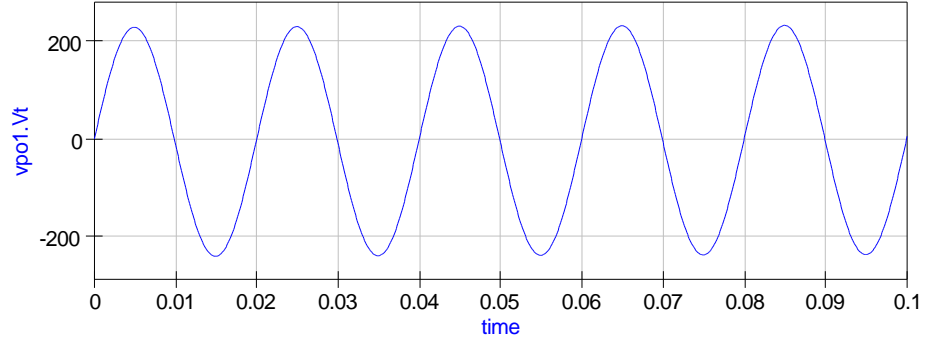


Figure 11: April 17: Mutual inductance transient tests results for file s2q_5_d.cir

```
# Qucs 0.0.12 /media/hda2/S2Q_test5_prj/test_s2q_d.sch
```

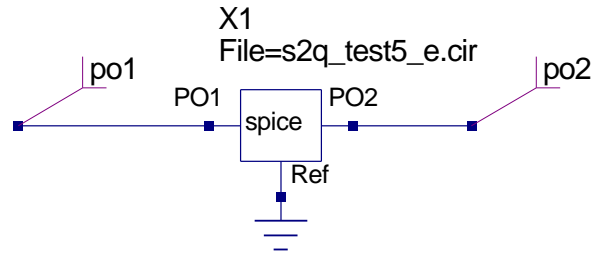
```
.Def:s2q_test5_d_cir _netPO1 _ref
  .Def:S2Q_TEST5_C _ref _netPO1
  L:K23 _cnet1 _ref L="0.0999"
  Vac:V1 _net1 _cnet0 U="240" f="50" Phase="-0" Theta="0"
  Vdc:V1 _cnet0 _ref U="0"
  R:R1 _net1 _net2 R="10hm"
  L:L1 _net2 _cnet1 L="0.0001"
  L:L2 _net3 _cnet2 L="0.0001"
  Tr:K23 _cnet1 _cnet2 _ref _ref T="1"
  R:R2 _net3 _netPO1 R="10hm"
  R:RL _netPO1 _ref R="150"
  .Def:End
  Sub:X1 _ref _netPO1 Type="S2Q_TEST5_C"
. Def:End
```

```
Sub:X1 vpo1 gnd Type="s2q_test5_d_cir"
.DC:DC1 Temp="26.85" reltol="0.001" abstol="1_pA"
vntol="1_uV" saveOPs="no" MaxIter="150" saveAll="no"
convHelper="none" Solver="CroutLU"
.TR:TR1 Type="lin" Start="0" Stop="100_ms" Points="1000"
IntegrationMethod="Trapezoidal" Order="2" InitialStep="1_ns"
MinStep="1e-16" MaxIter="150" reltol="0.001" abstol="1_pA"
vntol="1_uV" Temp="26.85" LTReltol="1e-3" LTEabstol="1e-6"
LTEfactor="1" Solver="CroutLU" relaxTSR="no" initialDC="yes" MaxStep="0"
```

Figure 12: April 17: s2q_5_d Qucs netlist

dc simulation

DC1



transient simulation

TR1
Type=lin
Start=0
Stop=100 ms

Figure 13: April 17: Mutual inductance transient test schematic for file s2q_5_e.cir

number	po1.V	po2.V
1	0	0

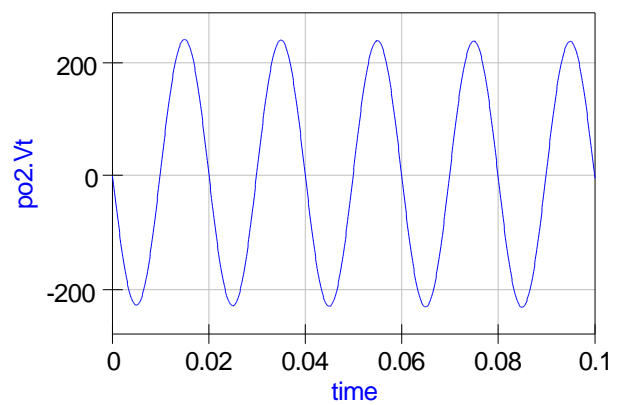
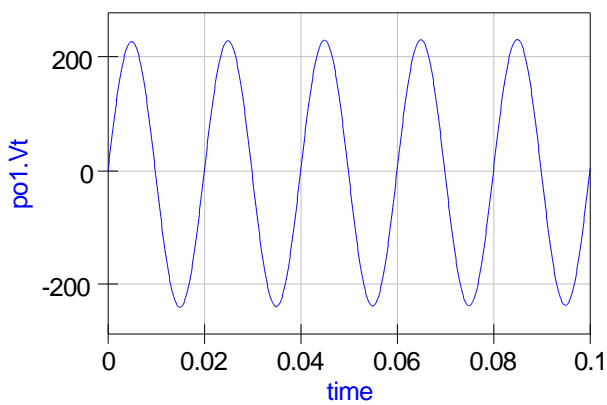


Figure 14: April 17: Mutual inductance transient tests results for file s2q_5_e.cir

```

# Qucs 0.0.12 /media/hda2/S2Q_test5_prj/test_s2q_5_e.sch

.Def:s2q_test5_e_cir _netPO1 _netPO2 _ref
  .Def:S2Q_TEST5_C _ref _netPO1 _netPO2
  Vac:V1 _net1 _cnet0 U="240" f="50" Phase="-0" Theta="0"
  Vdc:V1 _cnet0 _ref U="0"
  R:R1 _net1 _net2 R="10hm"
  MUT2:K12K13K23 _net2 _ref _net4 _ref _net3 _ref L1="0.1" L2="0.1"
  L3="0.1" k12="0.999" k13="0.999" k23="0.999"
  R:R2 _net3 _netPO1 R="10hm"
  R:RL1 _netPO1 _ref R="150"
  R:R3 _net4 _netPO2 R="10hm"
  R:RL2 _netPO2 _ref R="150"
  .Def:End
  Sub:X1 _ref _netPO1 _netPO2 Type="S2Q_TEST5_C"
.Def:End

Sub:X1 po1 po2 gnd Type="s2q_test5_e_cir"
.DC:DC1 Temp="26.85" reltol="0.001" abstol="1_pA" vntol="1_uV" saveOPs="no"
MaxIter="150" saveAll="no" convHelper="none" Solver="CroutLU"
.TR:TR1 Type="lin" Start="0" Stop="100_ms" Points="1000"
IntegrationMethod="Trapezoidal" Order="2" InitialStep="1_ns"
MinStep="1e-16" MaxIter="150" reltol="0.001" abstol="1_pA" vntol="1_uV"
Temp="26.85" LTEreltol="1e-3" LTEabstol="1e-6" LTEfactor="1"
Solver="CroutLU" relaxTSR="no" initialDC="yes" MaxStep="0"

```

Figure 15: April 17: s2q_5_e Qucs netlist